

HR 1934-3 G/LP 36" Dual Fuel (6 Burner) Range

Features:

- MasterChef Plus automatic programs - master new recipes easily
- M-Touch Display - Simple to use touch controls
- Moisture Plus - For perfect baking and roasting results
- Wireless Precision Probe - Simple to monitor food temperature
- WifiConn@ct - monitor your appliances from your mobile device
- Motion React - appliance reacts to you when approached

Included:

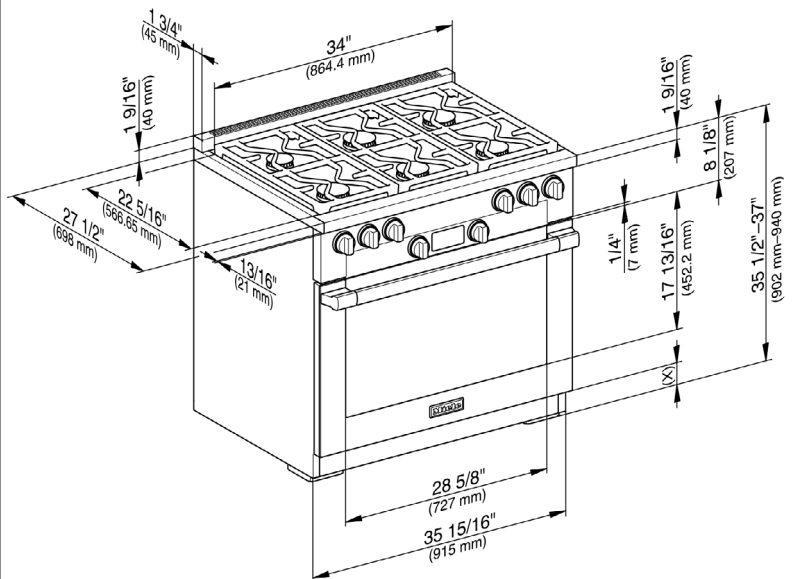
- 2 Wire Racks, 1 Telescopic Rack - Self Clean Ready
- 1 Perforated Baking Tray, 1 Baking Tray, 1 Grilling and Roasting insert - All with PerfectClean



MATERIAL #	
Gas	11226390
LP	11226400

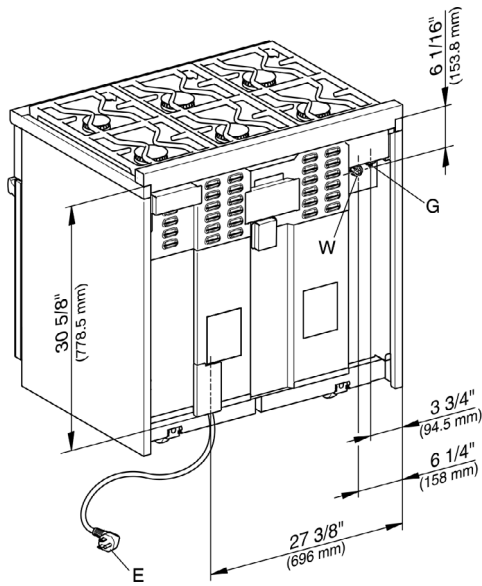
SPECIFICATIONS	
Overall Unit Dimensions	35 ¹⁵ / ₁₆ " (915 mm) W x 35 ¹ / ₂ " — 37" (902 — 940 mm) H x 26 ¹ / ₂ " (678 mm) D [Depth to control panel]
Niche	
Minimum Cabinet Niche Opening	36" (915 mm) W x 35 ¹ / ₂ " (902 mm) H
Gas	
Gas Line Connection	1/2" NPT
Plumbing	
Plumbing Requirements	An inline water filter required. Do not connect to a Reverse Osmosis (RO) water system. Connect to a cold water supply only with a shut-off valve. The water pressure must be between 14.5 and 145 psi (1 and 10 bars).
Plumbed Hose Connection	Supplied hose: flexible braided 4'11" (1.5 m) with 3/8" O.D. compression fitting for connection to a shut off valve. Total hose length must not exceed 24.5 ft. (7.5 m).
Electrical	
Electrical Requirements	120/208-240V, 60Hz, 30 Amps
Power Cord	NEMA 14-30 plug, 5 ft (1.52 m)
Shipping	
Shipping Weight	448.6 lbs (203.5 kg)
Shipping Dimensions	43 ⁵ / ₁₆ " (1100 mm)W x 52" (1,294 mm) H x 31 ¹ / ₂ " (800 mm) D

PRODUCT DIMENSIONS

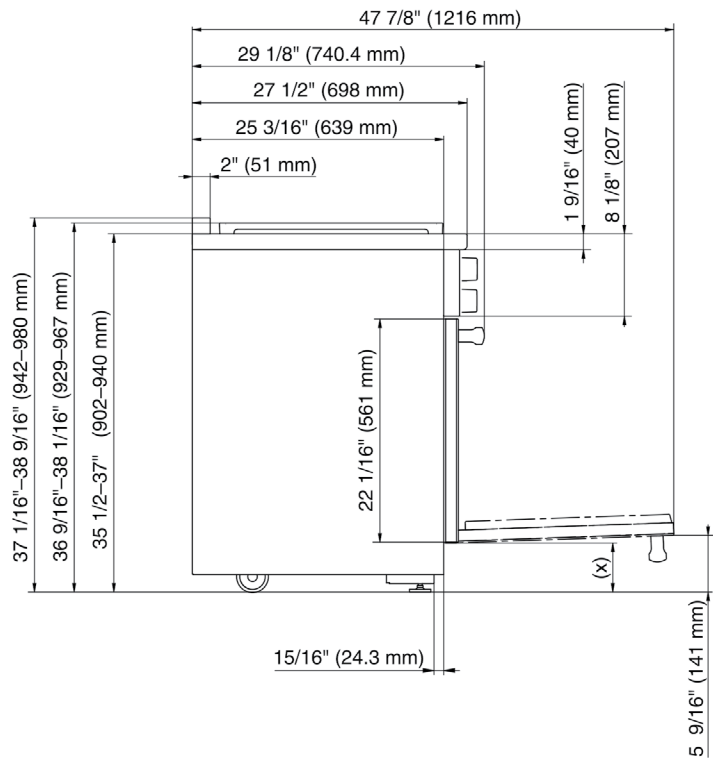


ADDITIONAL PRODUCT DIMENSIONS

Rear View

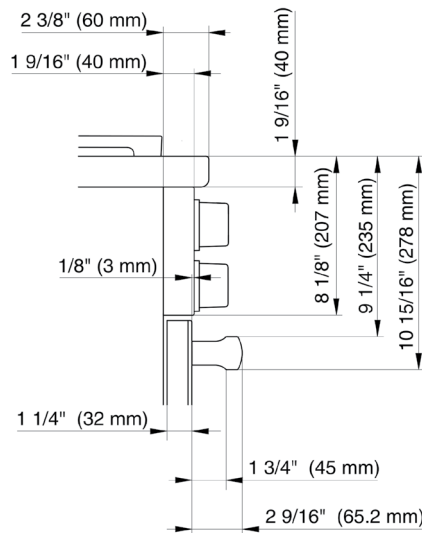


Side View



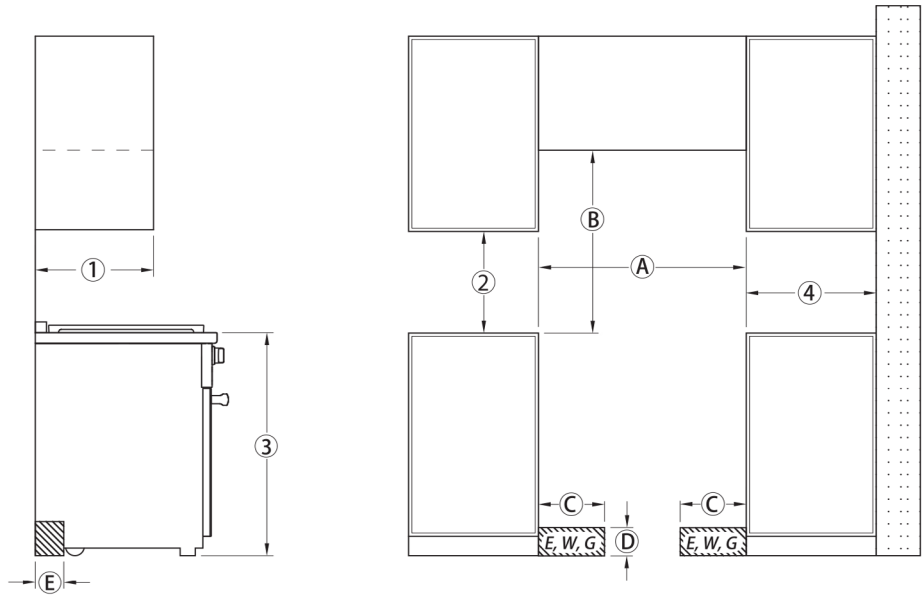
- (x) = Toe-kick height adjustment 5" - 6 1/2" (127 mm - 165.1 mm)
- E = Electrical connection
- G = Gas connection
- W = Water connection

Bullnose Details



NICHE DETAILS

BTU Output	
Gas Burners:	(3) 19,500 BTU (G/LP); (2) 9,000 BTU (G/LP); (1) 8,000 BTU (G/LP)
Total BTU Output	84,500 BTU (G/LP)



©, ©, © The shaded area represents the installation area for the connections:
E = Electrical connection, W = Water Connection, G = Gas Connection

Position	Dimensions	Description	
①	13" (330 mm)	Maximum depth of top cabinet	
②	18" (457 mm)	Minimum distance to bottom edge of top cabinet	
③	35 1/2"–37" (901–940 mm)	Distance from the floor to cooktop surface	
④	10" (254 mm)	Minimum distance to combustible surfaces.	
Ⓐ	min. 36" (915 mm)	Niche width Please contact Miele Technical Service for more information.	
Ⓑ	37" (940 mm)	Minimum distance between the top of the cooking area and the bottom of an unprotected combustible surface.	
	30" (762 mm)	Minimum distance between the top of the cooking area and the bottom of the Miele Range Hood (DAR model with DRxB XL or DRxB XXL blower). Refer to the Installation instructions for the Miele ventilation hood, Appliance dimensions (Distance between cooktop and ventilation hood (S)). For all other hoods please consult the manufacturer's specifications for required distances.	
Ⓒ	approx. 13 3/4" (350 mm)	Maximum connection width right and left	Position of the wall socket
Ⓓ	approx. 4 1/2" (115 mm)	Maximum connection height	
Ⓔ	approx. 2 13/16" (72 mm)	Maximum connection depth	