

## DGC 7685 XXL

### 30" Combi-Steam Oven, Plumbed - PureLine

#### Features:

- Combi-Steam Ovens: Steam ovens with full fledged oven function
- DirectWater Plus - water and drain plumbed in
- XXL Cooking Compartment - Large enough to cook complete menus for up to 10 people
- M-Touch S Display with Motion React - Simple to use touch controls that react when approached
- Roast Probe - Precise temperature control of food
- Mix & Match - use your Miele@home app or the WiFi enabled appliance to create recipes for full meals

#### Included:

- 1 Universal Tray with Perfect Clean
- 1 Wire rack with Perfect Clean
- 1 perforated stainless steel container
- 1 solid stainless steel container

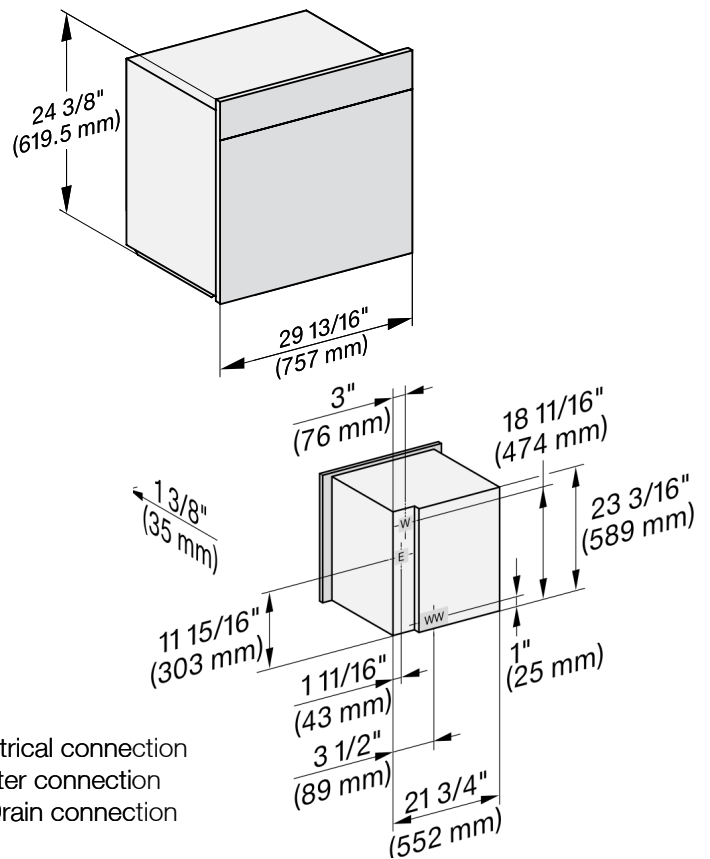


#### MATERIAL #

11876450

SPECIFICATIONS	
Overall Unit Dimensions	29 <sup>13</sup> / <sub>16</sub> " (757 mm) W x 24 <sup>3</sup> / <sub>8</sub> " (619.5 mm) H x 23 <sup>1</sup> / <sub>8</sub> " (587 mm) D
Niche	
Minimum Cabinet Niche Opening	28 <sup>1</sup> / <sub>2</sub> " (724 mm) W x 24" (610 mm) H x 24" (610 mm) D
Plumbing	
Water Supply Requirements	<ul style="list-style-type: none"> <li>• Cold water connection</li> <li>• Male 1/4" compression fitting</li> <li>• Water pressure range 14.5 psi (1 bar) and 87 psi (6 bar)</li> </ul>
Water Connection Line (Supplied)	Length: 6' 6" (2 m) Female 1/4" compression.
Drain Hose (Supplied)	Length: 9' 10" (3 m) 7/8" (22 mm) internal diameter
Electrical	
Electrical Requirements	208V/240V, 60Hz, 20 Amps
Power Cord	NEMA 6-20 plug, 6' 6" (2 m)
Shipping	
Shipping Weight	159 lbs (72 kg)
Shipping Dimensions	28 <sup>5</sup> / <sub>8</sub> " (726 mm) W x 29 <sup>1</sup> / <sub>4</sub> " (743 mm) H x 32 <sup>1</sup> / <sub>2</sub> " (825 mm) D

#### PRODUCT DIMENSIONS

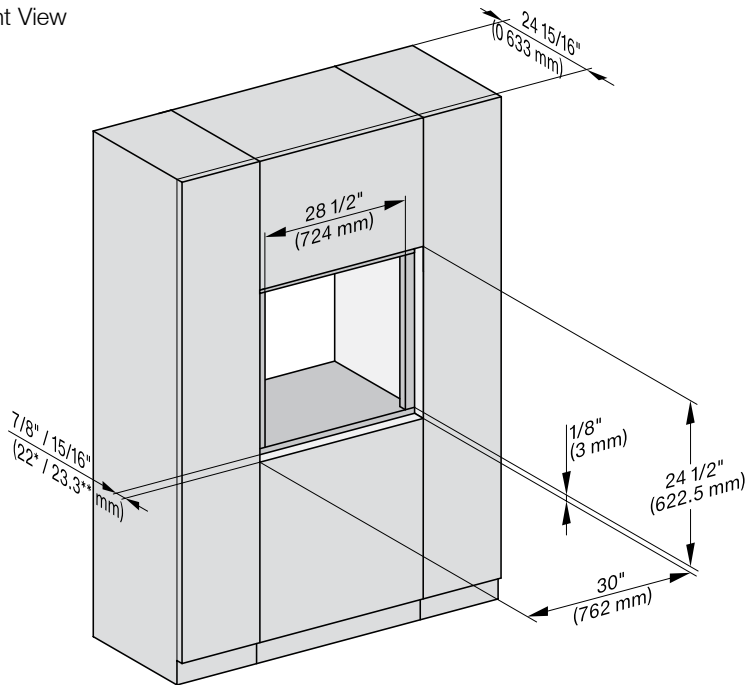


E = Electrical connection  
W = Water connection  
WW = Drain connection

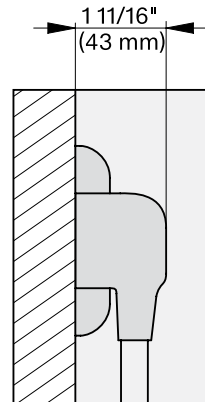
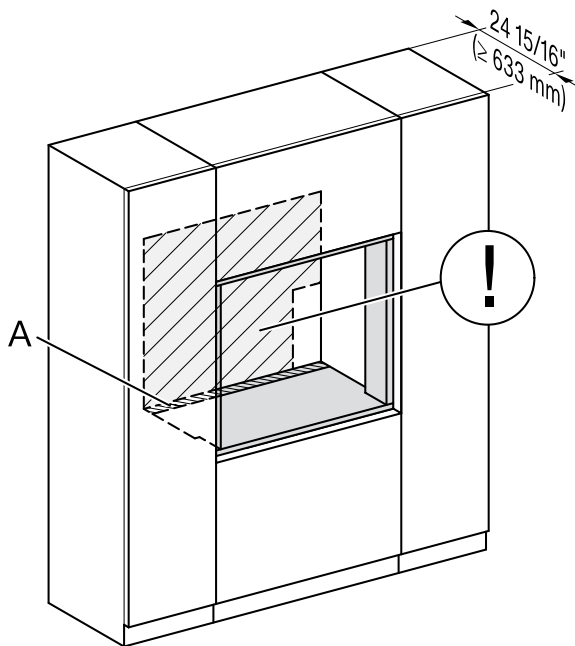
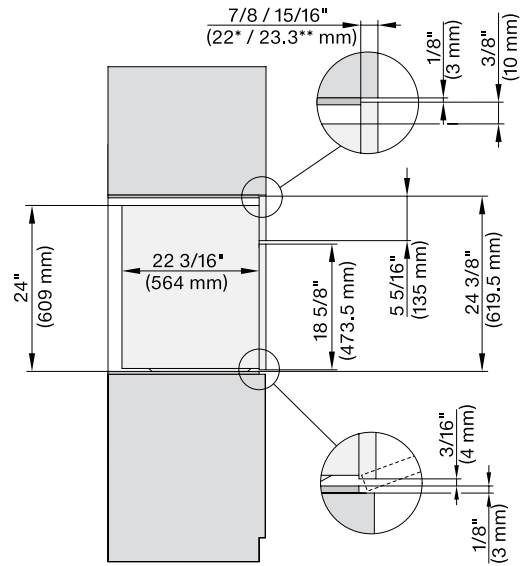
\*Information subject to change

## FLUSH CUTOUT DIMENSIONS

Front View



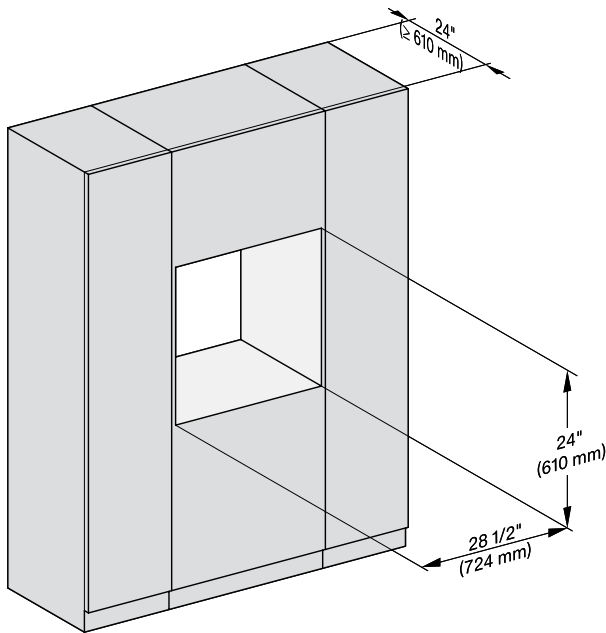
Side View



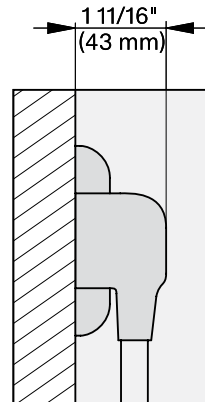
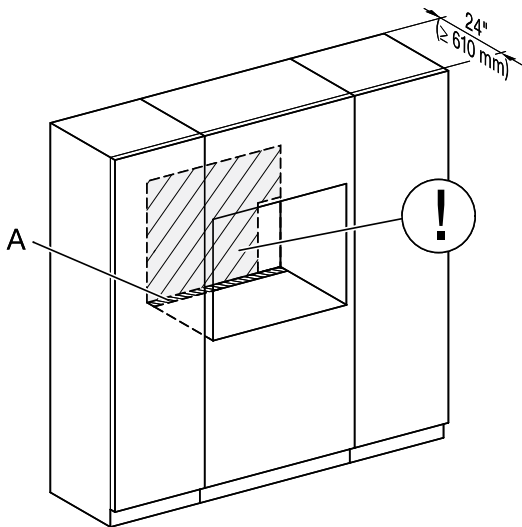
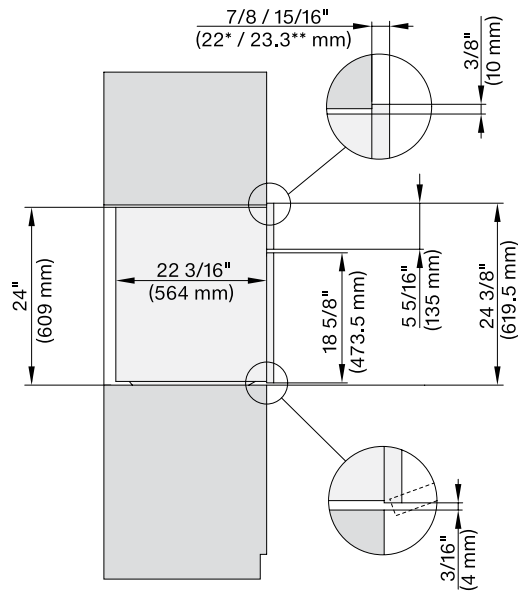
- A - Cut-out (4" x 28" [100 mm x 720 mm]) in the bottom of the cabinet for the power cord and Ventilation
- ⓘ - Electrical and water supplies are recommended to be placed in adjacent cabinetry.  
Additional cabinet depth is required when placing the electrical and water supplies behind the appliance.

## PROUD CUTOUT DIMENSIONS

Front View



Side View



A - Cut-out (4" x 28" [100 mm x 720 mm]) in the bottom of the cabinet for the power cord and Ventilation

⚠ - Electrical and water supplies are recommended to be placed in adjacent cabinetry.

Additional cabinet depth is required when placing the electrical and water supplies behind the appliance.