

DGC 7580 XXL 30" Combi-Steam Oven - ContourLine

Features:

- Combi-Steam Ovens: Steam ovens with full fledged oven function
- XXL Cooking Compartment - Large enough to cook complete menus for up to 10 people
- Lift up panel - conveniently stores the water containers
- M-Touch S Display with Motion React - Simple to use touch controls that react when approached
- Roast Probe - Precise temperature control of food
- Mix & Match - use your Miele@home app or the WiFi enabled appliance to create recipes for full meals

Included:

- 1 Universal Tray with Perfect Clean
- 1 Wire rack with Perfect Clean
- 1 perforated stainless steel containers
- 1 solid stainless steel container

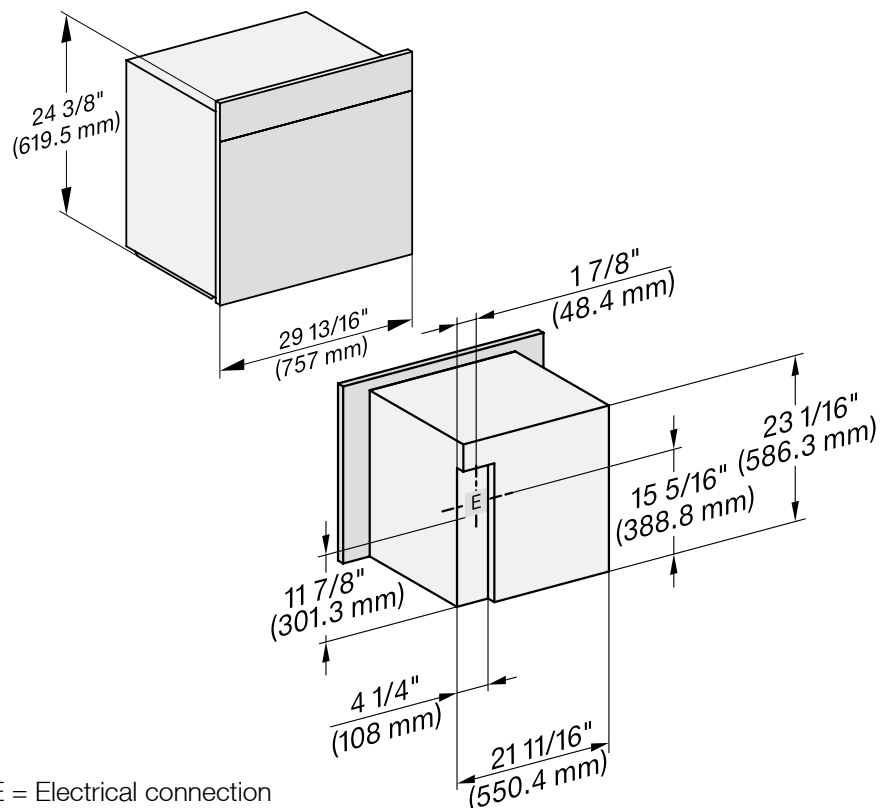


MATERIAL

11876020

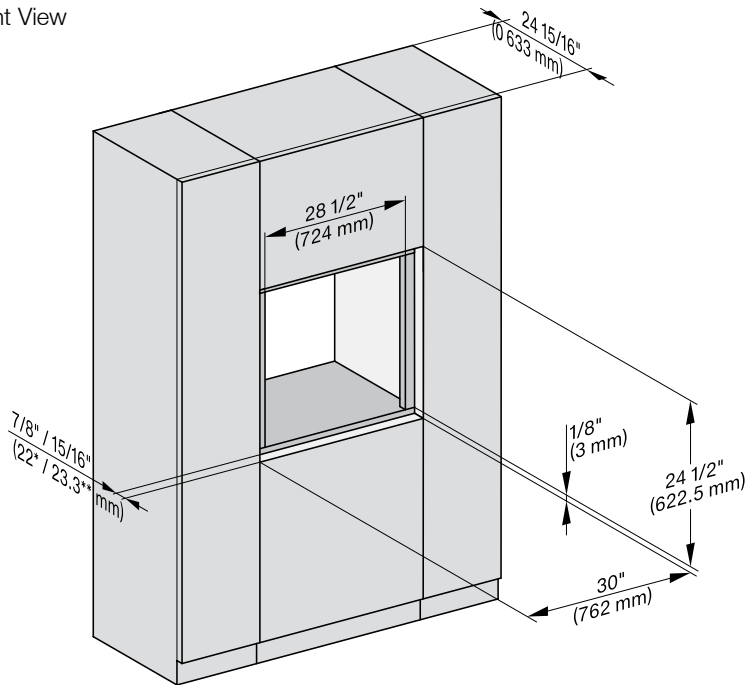
| SPECIFICATIONS | |
|-------------------------------|---|
| Overall Unit Dimensions | 29 ¹³ / ₁₆ " (757 mm) W x 24 ³ / ₈ " (619.5 mm) H x 23 ¹ / ₈ " (587 mm) D |
| Niche | |
| Minimum Cabinet Niche Opening | 28 ¹ / ₂ " (724 mm) W x 24" (610 mm) H x 24" (610 mm) D |
| Electrical | |
| Electrical Requirements | 208 - 240V, 60Hz, 20 Amps |
| Power Cord | NEMA 6-20 plug, 5 ft (1.52 m) |
| Shipping | |
| Shipping Weight | 159 lbs (72 kg) |
| Shipping Dimensions | 28 ⁵ / ₈ " (726 mm) W x 29 ¹ / ₄ " (743 mm) H x 32 ¹ / ₂ " (825 mm) D |

PRODUCT DIMENSIONS

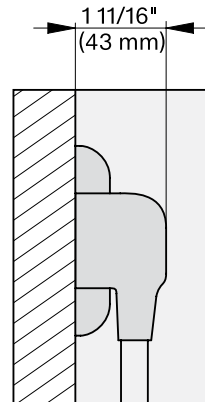
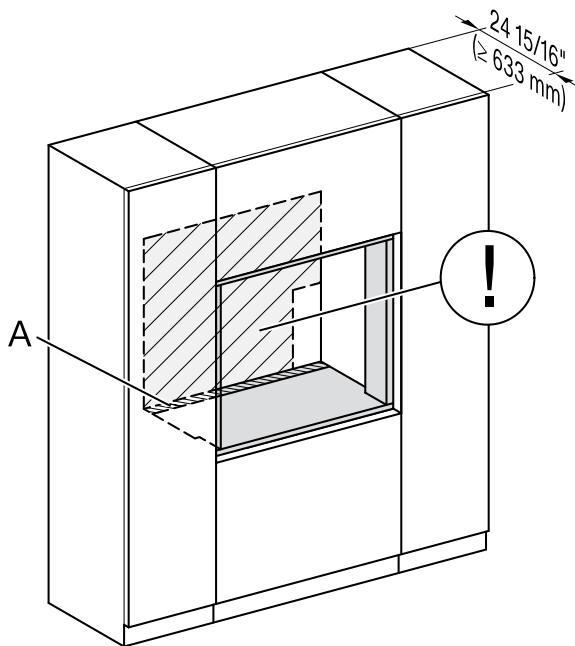
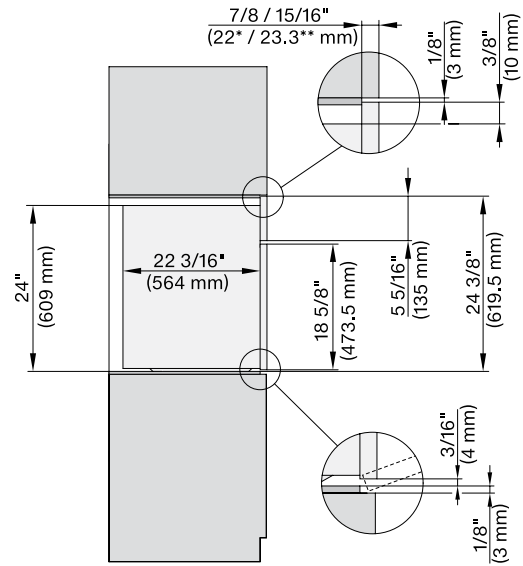


FLUSH CUTOUT DIMENSIONS

Front View



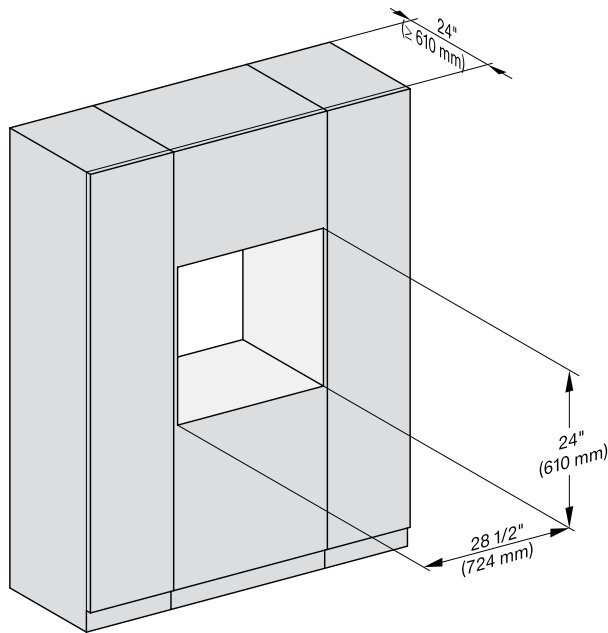
Side View



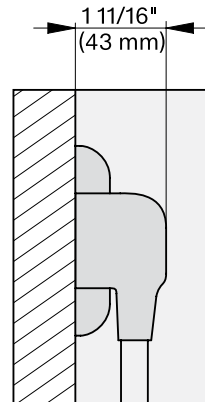
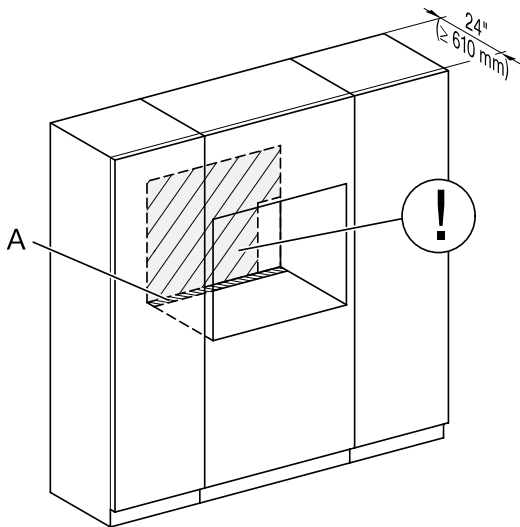
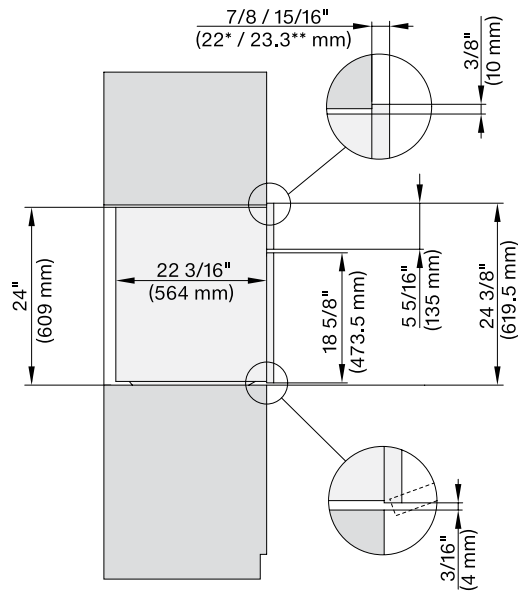
- A - Cut-out (4" x 28" [100 mm x 720 mm]) in the bottom of the cabinet for the power cord and Ventilation
- ⓘ - Electrical and water supplies are recommended to be placed in adjacent cabinetry.
Additional cabinet depth is required when placing the electrical and water supplies behind the appliance.

PROUD CUTOUT DIMENSIONS

Front View



Side View



- A - Cut-out (4" x 28" [100 mm x 720 mm]) in the bottom of the cabinet for the power cord and Ventilation
- ⚠ - Electrical and water supplies are recommended to be placed in adjacent cabinetry.
Additional cabinet depth is required when placing the electrical and water supplies behind the appliance.